

10 Accessories

10b Letter Plates & Intercom

16 Letter Plates

22 Intercom

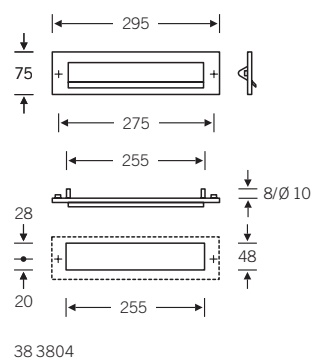
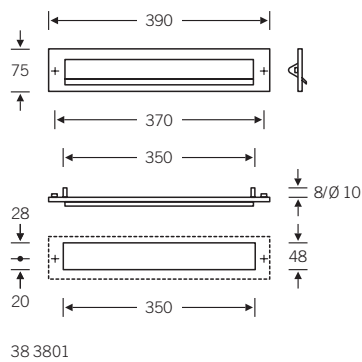
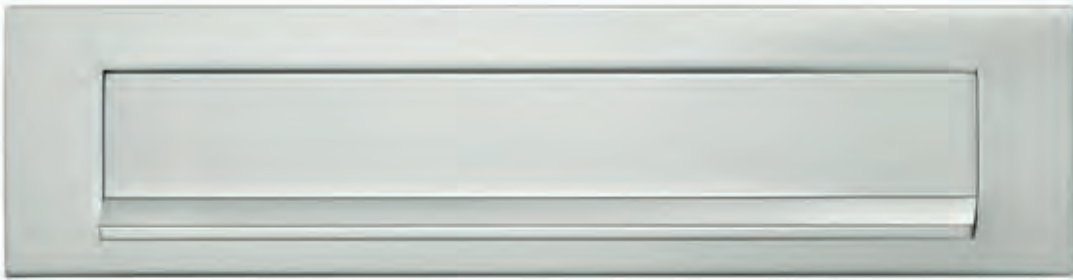
23 Door Numbers & Letters

Letter Plates

38 3801 | 38 3804 ■

38 3801 02001 (without nameplate)
 38 3801 02002 (with nameplate)
 Opening size 325 × 32 mm
 Door cutout 350 × 48 mm

38 3804 02001 (without nameplate)
 38 3804 02002 (with nameplate)
 Opening size 230 × 32 mm
 Door cutout 255 × 48 mm



Fixation drill holes:
 Ø 10 mm, 8 mm deep
 Ø 5.5 mm through fixing
 To be fixed using M5 screws (included)

All details subject to modification

Letter Plates

38 3826 

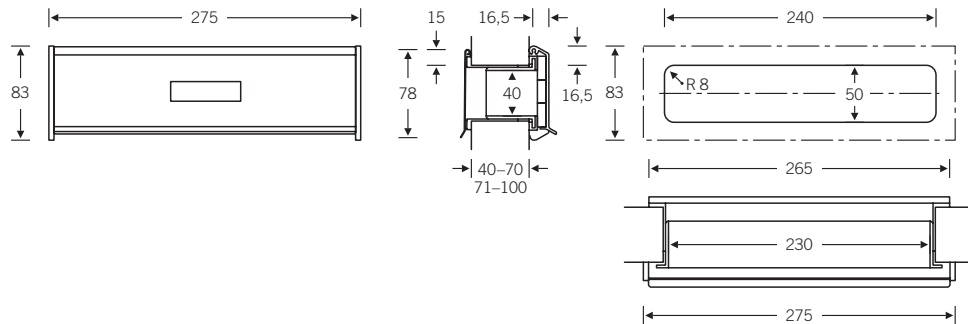
38 3826 02061 (40 – 70 mm)
 38 3826 02071 (71 – 100 mm)
 Letter plate set without nameplate,
 with spacer and inner flap

38 3826 02001
 Letter plate without nameplate,
 without spacer and inner flap

38 3826 02062 (40 – 70 mm)
 38 3826 02072 (71 – 100 mm)
 Letter plate set with nameplate,
 spacer and inner flap

38 3826 02002
 Letter plate with nameplate,
 without spacer and inner flap

Opening dimensions 230 × 40 mm
 Door cutout 240 × 50 mm



Separate fixation of letter plate
 and inner flap

All details subject to modification

Letter Plates

38 3826 | 38 3829 

38 3826 02001 without nameplate
38 3826 02002 with nameplate

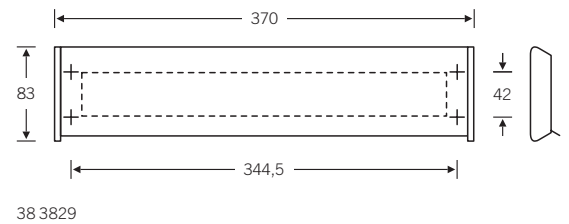
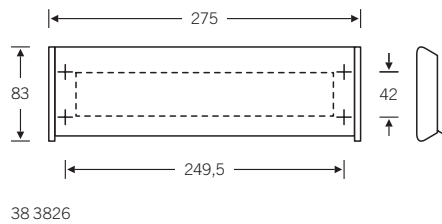
38 3829 02001 without nameplate
38 3829 02002 with nameplate

Opening dimension or door cutout
230 × 40 mm


Opening dimension or door cutout
325 × 40 mm



All details subject to modification



Letter Plates

38 3835 

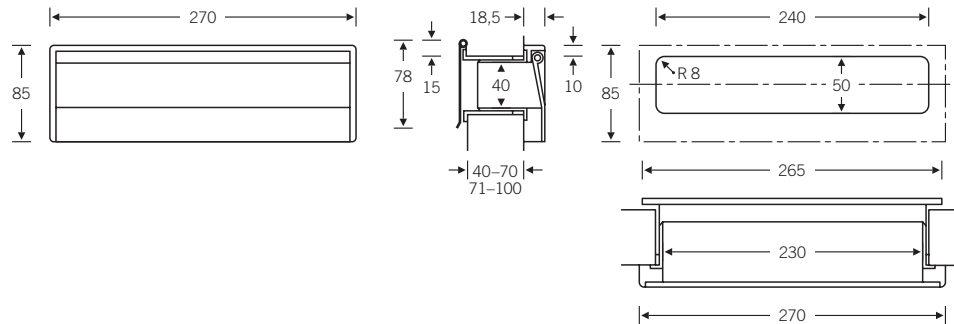
38 3835 00061 (40 – 70 mm)
 38 3835 00071 (71 – 100 mm)
 Letter plate set without nameplate,
 with spacer and inner flap

38 3835 00001
 Letter plate without nameplate,
 without spacer and inner flap

38 3835 00062 (40 – 70 mm)
 38 3835 00072 (71 – 100 mm)
 Letter plate set with nameplate,
 spacer and inner flap

38 3835 00002
 Letter plate with nameplate,
 without spacer and inner flap

Opening dimensions 230 × 40 mm
 Door cutout 240 × 50 mm



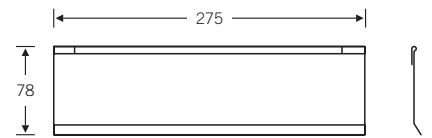
Separate fixation of letter plate
 and inner flap

All details subject to modification

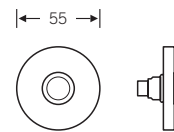
Flap Door Bell Button

38 3845 ■

Suitable for door cutout 255 × 40 mm



38 3863 ■■



All details subject to modification

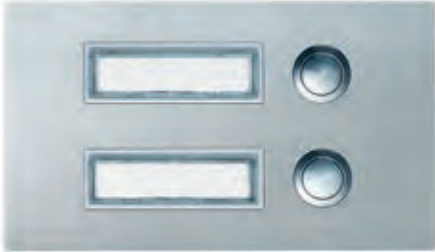
Instruction:

Bell pushes may only be connected to a protective low voltage (max 42 V). Given the high no-load voltage involved, we

recommend connecting the light socket (lamp operation max. 24 V/40 mA) to the safety transformer (8 V).

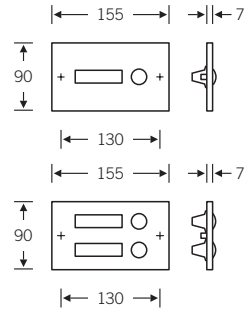
Intercoms


38 3810 



- 38 3810 00011 (single)
- 38 3810 00012 (double)
- 38 3810 00111 (single, wall mounting)
- 38 3810 00112 (double, wall mounting)

Mill out size
W 110 × H 70 × D 30 mm

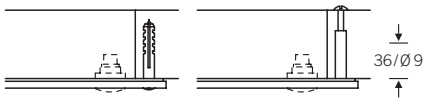
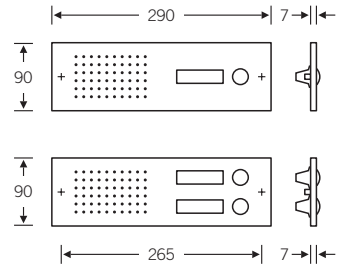


38 3812 



- 38 3812 00011 (single)
- 38 3812 00012 (double)
- 38 3812 00111 (single, wall mounting)
- 38 3812 00112 (double, wall mounting)

Mill out size
W 245 × H 70 × D 30 mm



Fixing holes:
9 mm Ø, 36 mm deep
4.5 mm Ø through
Installation with delivered screws M4.

Intercom and bell-push plates and letter plate 3808 are available on request with visible fixing for 5 mm Ø countersunk head screws.

All details subject to modification

Door Numbers and Letters

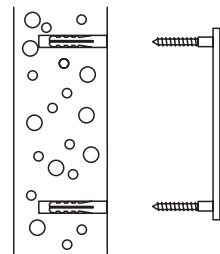
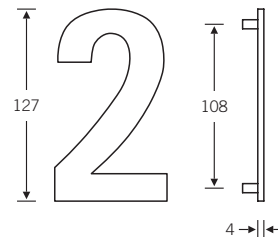
38 4005 



FSB's programme of numerals and letters draws on designs that Otl Aicher recommended to our company as a headline typeface. For Otl Aicher, clear legibility from a great distance was of the utmost importance.

Our numerals and letters are made of 4 mm-thick stainless steel or bronze sheet. Numerals and letters have the identical fixation points with threaded sockets (M4). These are fitted with bolts, which in turn are secured in rawl plugs (8 mm).

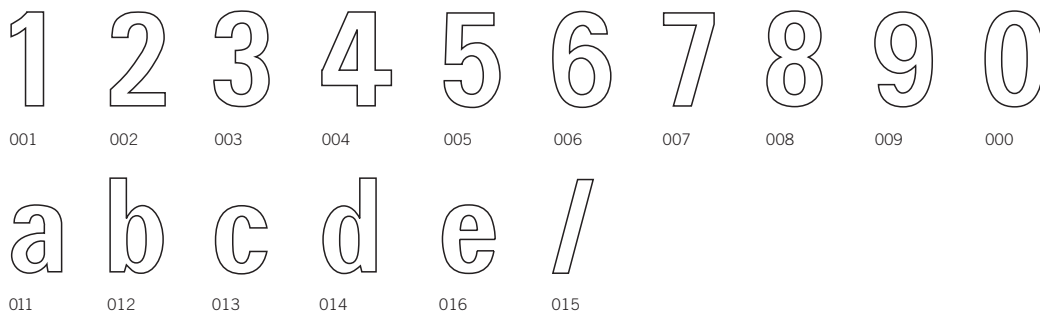
Every numeral or letter comes with a fixing template that also determines the distance between the characters. Custom spacing is easy to achieve.



Item nos.:
38 4005 00... = available numbers or letters (shown above)

Only lower case letters "a" to "e" are available.

Example: 38 4005 00002 = Number 2



All details subject to modification

2016/02