

Bathroom accessories for disabled



The Bank, Amsterdam

Contents

Bathroom accessories for disabled	3
Grab rail Ø32mm	6
Hinged cantilever grab rail	8
Toilet roll holder	10

Bathroom accessories for disabled



d line has designed a line of products to accommodate the need for easy access for the disabled. The products in this line remain decorative but focus on user friendliness and meet the requirements of design, while still providing for the diverse and challenging needs of people with disabilities.

The accessories are simple and based on the following qualities; impeccable design solutions, intrinsic functionalism and installation techniques developed through years of invaluable experience. Hygiene and maintenance are prevalent concerns in the products design phase.

The room

Availability of a bath- and or washroom that is „disability-proof“ is a fundamental requirement of any public building and of the private homes of the disabled. The disability accessories that d line offer are simple and founded on a minimalist design, 35 years in the making. Both installation and maintenance is easy, which is important, especially for commercial use.

The products

The products in d line's disability series have been specifically developed and designed for the disability segment.

Like all d line products, longevity is a focal point and great care has been taken to ensure the „shelf-life“ of this line also. All products are designed and made for frequent use.

The disability range is based on the aesthetics of minimalism and has been developed in accordance with the tradition of the structural simplicity inherent to Danish design. Strength, endurance and functionalism play an integral role in our product development and in the overall shape and character of the products. In keeping with the high technical standards of the design phase and an unrelenting dedication to advances in engineering, these qualities continue to raise the bar and thus d line series to a level of timelessness.

The material

All disability accessories are manufactured in marine quality stainless steel. The high humidity level in the bathroom setting necessitates the use of a non-corrosive rust resistant stainless steel. On d line's behalf, FORCE Technology in Copenhagen has conducted a variety of independent tests on different metals' resistance to rust. As a result of these tests, the only metal used in d line's bathroom fittings is AISI 316, also known as marine quality stainless steel. AISI 316 is one of the strongest and most resilient alloys on the market today.

Cleaning, care and maintenance

Stainless steel is easy to clean. Washing with soap or a mild detergent and warm water followed by a clean water rinse is usually quite adequate for domestic and architectural equipment. An enhanced appearance will be achieved if the cleaned surface is finally wiped dry. Specific methods of cleaning may apply and if so instructions will be provided.

Design continuity

From the perspective of design, d line conceptualises its products in terms of an interrelated continuity. The quality standard is revealed in each and every product, from soap dish to towel rack to waste bin and paper towel dispenser. In the words of d line's head designer, Knud Holscher:

"There is a certain implicit advantage in having an architect work within the field of industrial design. Architects view the individual design product within the scope of the architectural space that it is meant to occupy. I perceive architectural space as a whole, where the bathroom is an equal and, most importantly, an integral part of the building."



References



The Bank

Owner Kroonenberg Group
Builder Midreth BV
Architect Rijnboutt Architecten
Client Intermat Mijdrecht
Country Netherlands

The Bank was built between 1926 and 1932 and was the first ABN Bank in Amsterdam. The design of this typical example of solid stateliness was in the hands of architects B.J. and W.B. Ouëndag, as well as the founder of the Amsterdam School of Architecture, H.P. Berlage.



The Kameha Grand

Interior designer Marcel Wanders
Size 19,000 sq.m
Architect Karl-Heinz Schommer
Client Lifestyle Hospitality & Entertainment Group
Country Germany

The Kameha Grand Bonn opened in late autumn 2009; it has 254 rooms, including 62 suites and a flexible partitionable conference or ballroom that can accommodate up to 2,500 guests. The Kameha Grand Bonn has won the prestigious MIPIM Award and the international Real Estate Industry Award. The hotel impressed tradeshow visitors and the jury in the category "Hotels & Touristic Resorts."



Bella Sky Comwell Copenhagen

Owner and developer Bella Center
Architect 3XN
Floor area 42,000 sq.m. (814 rooms / 23 floors)
Country Denmark

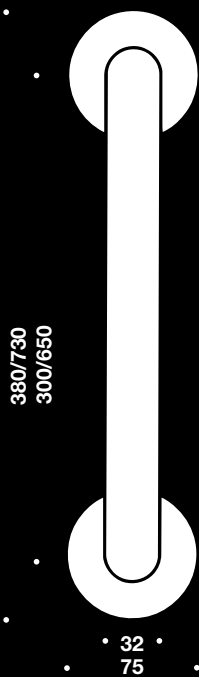
Bella Sky Comwell is a four star conference hotel, adjacent to Bella Convention & Congress Center in the Ørestad district of Copenhagen. With 814 rooms, it is the largest hotel in Scandinavia. Consisting of two asymmetrical towers, the hotel's form depends on the vantage point. The towers are distinguished by a dynamic and graphic skin of triangular panels, and even from a great distance, the slightly pixelating effect is visible. The lobby merges into the entrance of the Bella Center and causes a twist of the ground floor, lending the hotel a dramatic street presence.



Grab rail Ø32mm



Grab rail Ø32mm



Description

300mm, w/Ø75mm snap on cover roses
650mm, w/Ø75mm snap on cover roses

300mm, w/bush, Ø20x22mm
650mm, w/bush, Ø20x22mm

Set of thrust roses, Ø75mm snap on cover roses
300mm, f/thrust rose
650mm, f/thrust rose

Item number

14.4617.02.309

14.4617.02.659

14.4617.02.308

14.4617.02.658

14.4963.03.321

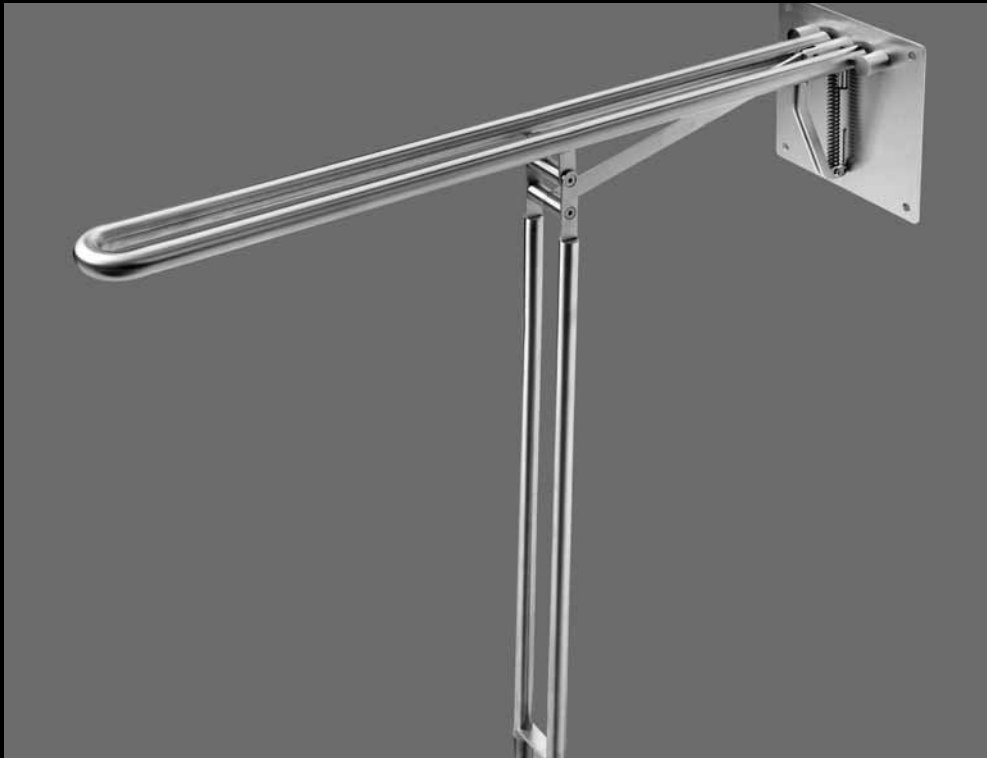
14.4612.02.307

14.4612.02.650

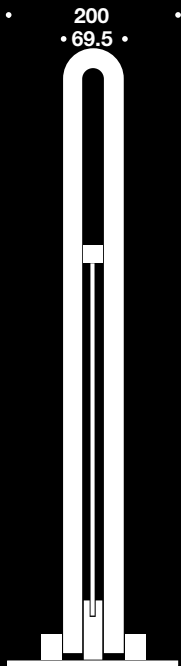


85

Hinged cantilever grab rail



Hinged cantilever grab rail



Description

Floor height 680mm

Floor height 850mm

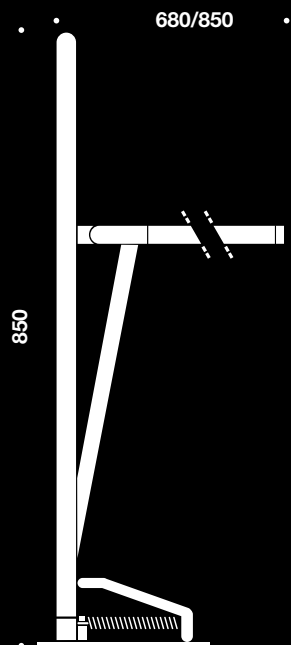
Padding profile for grab rail

Item number

14.7500.02.680

14.7500.02.850

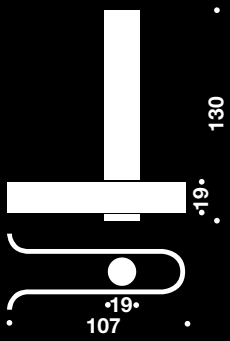
14.7503.02.850



Toilet roll holder



Toilet roll holder



Description
F/hinged cantilever

Item number
14.7501.02.001